

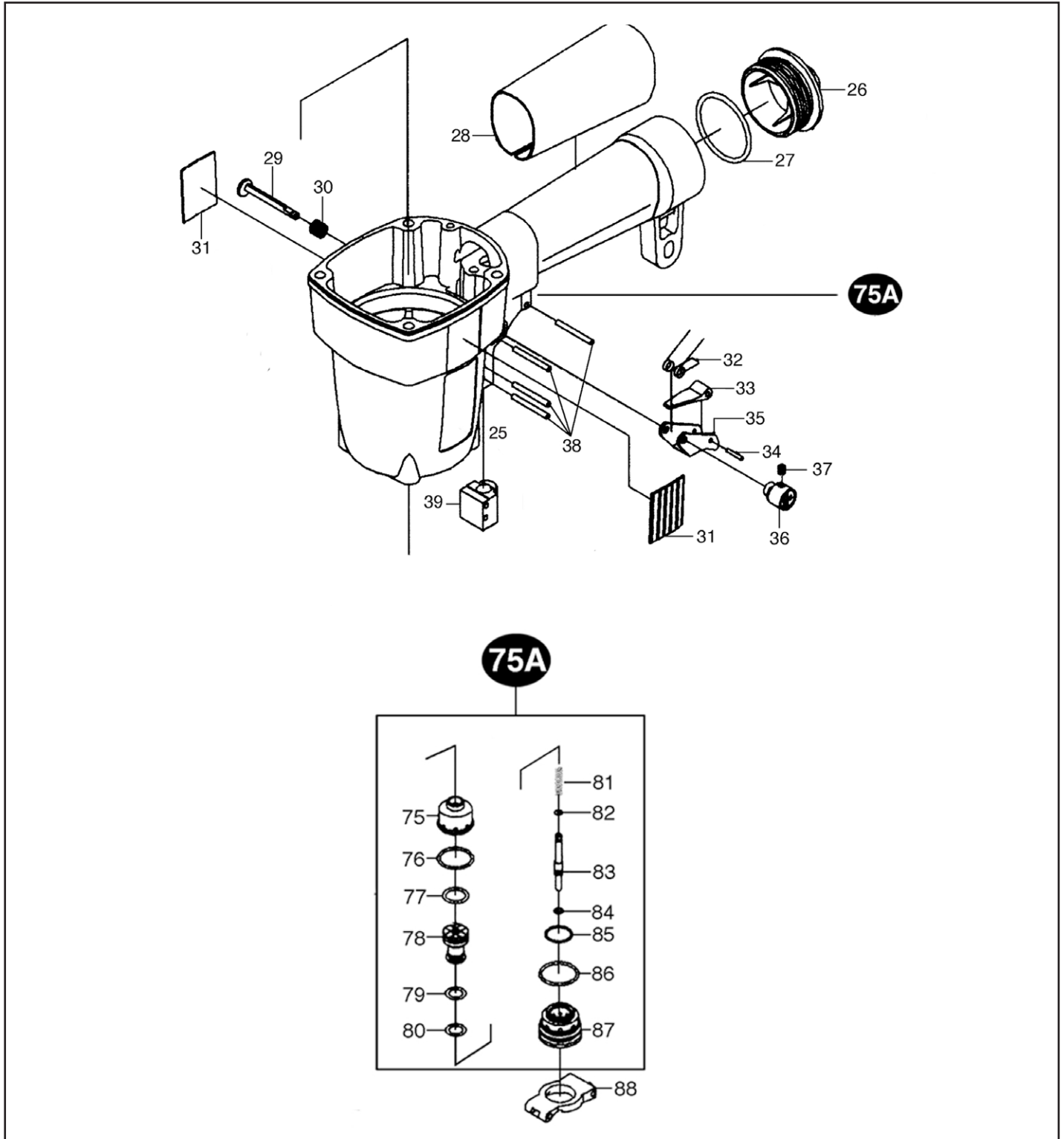
ORDER BY FAX OR EMAIL

f: 800-529-8680 e: spcustomer.service@itwserviceparts.com

| KEY | PART NO. | DESCRIPTION |
|------------|-----------------|------------------------------------|
| 1 | 2597910 | BUSHING/PLATE EXHAUST |
| 2 | 2437910 | SET SCREW |
| 3 | 2438910 | SCREW, CAP HD AIR (4 REQ'D) |
| 4 | 2439910 | CAP HD AIR |
| 5 | 2600910 | SPRING (3 REQ'D) |
| 6 | 2601910 | O-RING, LARGE POPPET |
| 7 | 2602910 | O-RING, SMALL POPPET |
| 8 | 2603910 | POPPET |
| 9 | 2604910 | O-RING, EXHAUST SEAL |
| 11 | 2606910 | WASHER, EXHAUST SEAL |
| 12 | 2607910 | SCREW, EXHAUST SEAL |
| 13 | 2608910 | GASKET, CAP |
| 14 | 2609910 | SLEEVE, SEAL |
| 15 | 2610910 | SPRING, SEAL SLEEVE |
| 15A | 2441910 | EXHAUST RING, HD AIR |
| 16 | 2611910 | O-RING, PISTON |
| 20 | 2616910 | O-RING, LARGE CYLINDER |
| 21 | 2617910 | O-RING, SMALL CYLINDER |
| 22 | 2445910 | CYLINDER HD AIR |
| 23 | 2619910 | RING, CYLINDER |
| 24 | 2620910 | O-RING, CYLINDER RING |

ORDER BY FAX OR EMAIL

f: 800-529-8680 e: spcustomer.service@itwserviceparts.com

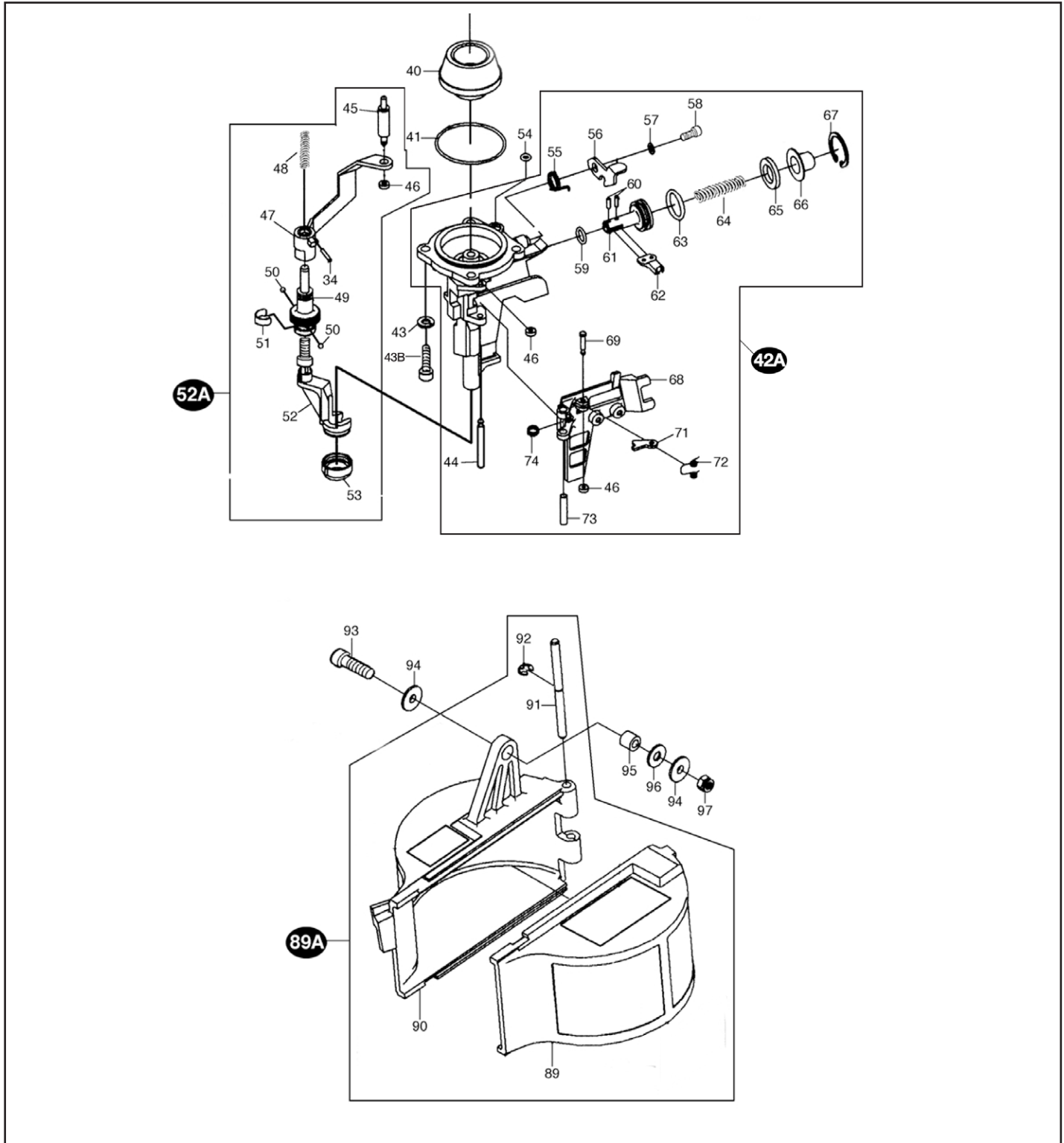


ORDER BY FAX OR EMAIL

f: 800-529-8680 e: spcustomer.service@itwserviceparts.com

| KEY | PART NO. | DESCRIPTION |
|------------|-----------------|----------------------------|
| 25 | 2621910 | HANDLE |
| 26 | 2622910 | CAP, REAR |
| 27 | 2623910 | O-RING, REAR CAP |
| 28 | 2624910 | COVER, GRIP |
| 29 | 2625910 | PIN, TRIGGER |
| 30 | 2626910 | SPRING, TRIGGER PIN |
| 31 | 2627910 | COVER, SIDE |
| 32 | 2628910 | SPRING, TORSION, TRIGGER |
| 33 | 2629910 | LEVER, TRIP |
| 35 | 2631910 | TRIGGER |
| 36 | 2632910 | KNOB, SWITCH |
| 37 | 2633910 | SET SCREW, SWITCH KNOB |
| 38 | 2634910 | ROLL PIN, HANDLE (4 REQ'D) |
| 39 | 2635910 | ROD GUIDE |
| 88 | 2684910 | PLATE, TRIGGER |

ORDER BY FAX OR EMAILf: 800-529-8680 e: spcustomer.service@itwserviceparts.com



ORDER BY FAX OR EMAIL

f: 800-529-8680 e: spcustomer.service@itwserviceparts.com

| KEY | PART NO. | DESCRIPTION |
|------------|-----------------|--------------------------------|
| 40 | 2636910 | BUMPER |
| 41 | 2637910 | O-RING, NOSE |
| 43 | 2639910 | WASHER (4 REQ'D) |
| 43B | 2450910 | SCREW, HD AIR (4 REQ'D) |
| 44 | 2640910 | PIN, GATE |
| 46 | 2666910 | WASHER, URETHANE |
| 50 | 2646910 | BALL BEARINGS (PKG OF 2) |
| 51 | 2647910 | BAND RETAINER |
| 53 | 2649910 | TIP, YOKE |
| 54 | 2650910 | O-RING, ROD GUIDE |
| 55 | 2651910 | TORSION SPRING, LATCH |
| 56 | 2652910 | LATCH |
| 57 | 2653910 | WASHER, LATCH |
| 58 | 2654910 | SCREW, LATCH |
| 59 | 2655910 | SMALL FEED PISTON O-RING |
| 60 | 2656910 | ROLL PIN, FEED PISTON |
| 61 | 2657910 | PISTON, FEED |
| 62 | 2658910 | TIP, FEED |
| 63 | 2659910 | LARGE FEED PISTON O-RING |
| 64 | 2660910 | SPRING, FEED PISTON |
| 65 | 2661910 | CUSHION, FEED |
| 66 | 2662910 | COVER, FEED |
| 67 | 2663910 | RING, STOP |
| 68 | 2664910 | GATE |
| 69 | 2665910 | PIN, GATE |
| 71 | 2667910 | TIP, BACKUP |
| 72 | 2668910 | SPRING, BACKUP TIP |
| 73 | 2669910 | SPACER, GATE |
| 74 | 2670910 | TORSION SPRING, GATE |
| 93 | 2689910 | SCREW, MAGAZINE |
| 94 | 2690910 | WASHER |
| 95 | 2691910 | SPACER, GATE |
| 96 | 2692910 | WASHER, RUBBER |
| 97 | 2693910 | NUT |

ORDER BY FAX OR EMAIL

f: 800-529-8680 e: spcustomer.service@itwserviceparts.com

OVERHAUL O-RING KIT — PART NO. 2699910

| SCHEMATIC NO. | QTY | DESCRIPTION |
|----------------------|------------|---------------------------|
| 6 | 1 | O-RING, LARGE POPPET |
| 7 | 1 | O-RING, SMALL POPPET |
| 9 | 1 | O-RING, EXHAUST SEAL |
| 16 | 1 | O-RING, PISTON |
| 20 | 1 | O-RING, LARGE CYLINDER |
| 21 | 1 | O-RING, SMALL CYLINDER |
| 24 | 1 | O-RING, CYLINDER RING |
| 59 | 1 | O-RING, SMALL FEED PISTON |
| 63 | 1 | O-RING, LARGE FEED PISTON |

EXHAUST ASSEMBLY — Part No. 2695910 (SCHEMATIC No. 10)

| SCHEMATIC NO. | QTY | DESCRIPTION |
|----------------------|------------|--------------------|
| 10A | 1 | SEAL, EXHAUST |
| 10B | 1 | CUSHION |

PISTON ASSEMBLY — PART NO. 2458910 (SCHEMATIC NO. 19A HD)

| SCHEMATIC NO. | QTY | DESCRIPTION |
|----------------------|------------|-----------------------------|
| 16 | 1 | O-RING, PISTON HD AIR |
| 17 | 1 | PISTON HD AIR |
| 18 | 1 | WASHER, PISTON |
| 19 | 1 | DRIVER BLADE, PISTON HD AIR |

ORDER BY PHONE: 1-800-241-5640

**NOSE ASSEMBLY - PART NO. 2448910 (SCHEMATIC NO. 42A HD)
SCHEMATIC NO. QTY DESCRIPTION**

| | | |
|----|---|--------------------------|
| 44 | 1 | PIN, GATE |
| 46 | 1 | WASHER, URETHANE |
| 55 | 1 | TORSION SPRING, LATCH |
| 56 | 1 | LEVER, MAGAZINE |
| 57 | 1 | WASHER, LATCH |
| 58 | 1 | SCREW, LATCH |
| 59 | 1 | SMALL FEED PISTON O-RING |
| 60 | 2 | ROLL PIN, FEED PISTON |
| 61 | 1 | PISTON FEED |
| 62 | 1 | TIP-FEED |
| 63 | 1 | O-RING, LARGE |
| 64 | 1 | SPRING, FEED PISTON |
| 65 | 1 | CUSHION, FEED |
| 66 | 1 | COVER, FEED |
| 67 | 1 | RING, STOP |
| 68 | 1 | GATE |
| 69 | 1 | PIN, GATE |
| 71 | 1 | TIP, BACKUP |
| 72 | 1 | SPRING, BACKUP TIP |
| 73 | 1 | SPACER, GATE |
| 74 | 1 | TORSION SPRING, GATE |

ORDER BY FAX OR EMAIL

f: 800-529-8680 e: spcustomer.service@itwserviceparts.com

SAFETY YOKE ASSEMBLY — PART NO. 2459910 (SCHEMATIC NO. 52A HD)

| SCHEMATIC NO. | QTY | DESCRIPTION |
|----------------------|------------|--------------------------|
| 34 | 1 | ROLL PIN |
| 45 | 1 | ROD, TRIGGER |
| 46 | 1 | WASHER, TRIGGER ROD |
| 47 | 1 | YOKE, UPPER HD AIR |
| 48 | 1 | SPRING, UPPER YOKE |
| 49 | 1 | KNOB, ADJUSTMENT |
| 50 | 2 | BALL BEARINGS, ADJ. KNOB |
| 51 | 1 | BAND RETAINER |
| 52 | 1 | YOKE, SAFETY HD AIR |
| 53 | 1 | TIP, YOKE |

VALVE ASSEMBLY — PART NO. 2694910 (SCHEMATIC NO. 75A HD)

| SCHEMATIC NO. | QTY | DESCRIPTION |
|----------------------|------------|-----------------------------|
| 75 | 1 | HOUSING VALVE |
| 76 | 1 | O-RING, VALVE HOUSING |
| 77 | 1 | O-RING, SMALL VALVE HOUSING |
| 78 | 1 | STEM, VALVE |
| 79 | 1 | O-RING, VALVE STEM |
| 80 | 1 | O-RING, VALVE STEM |
| 81 | 1 | SPRING, VALVE PIN |
| 82 | 1 | O-RING, SMALL VALVE PIN |
| 83 | 1 | PIN, VALVE |
| 84 | 1 | O-RING, VALVE PIN |
| 85 | 1 | O-RING, SMALL VALVE COVER |
| 86 | 1 | O-RING, VALVE COVER |
| 87 | 1 | COVER, VALVE |

ORDER BY PHONE: 1-800-241-5640

**MAGAZINE ASSEMBLY - Part No. 2696910 (Schematic No. 89A HD)
SCHEMATIC NO. QTY DESCRIPTION**

| | | |
|----|---|-------------------|
| 89 | 1 | DOOR, MAGAZINE |
| 90 | 1 | MAGAZINE |
| 91 | 1 | PIN, HINGE |
| 92 | 1 | E-RING, HINGE PIN |

ORDER BY FAX OR EMAILf: 800-529-8680 e: spcustomer.service@itwserviceparts.com